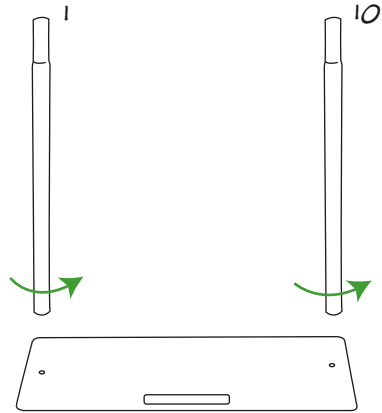
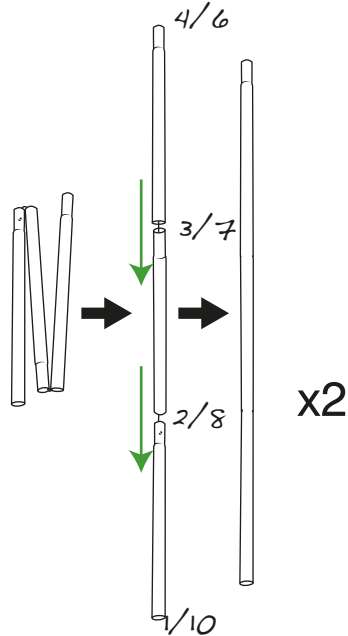


Important note: These instructions are based on assembling the 600mm version. Other size kits will have slightly different configurations of poles but can still be assembled in the same way.

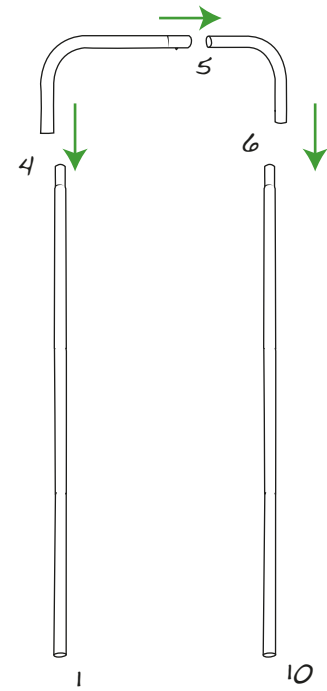
1



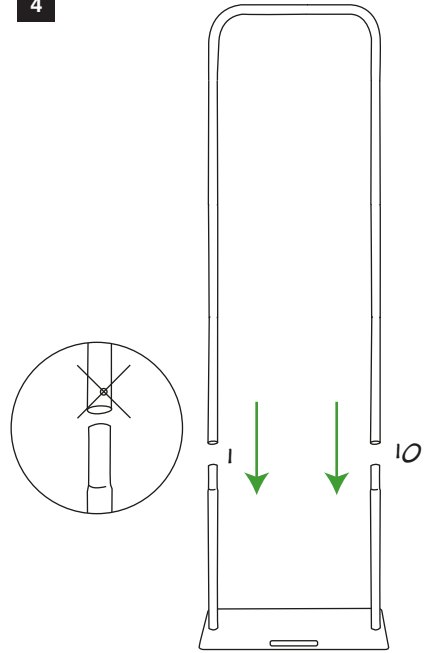
2



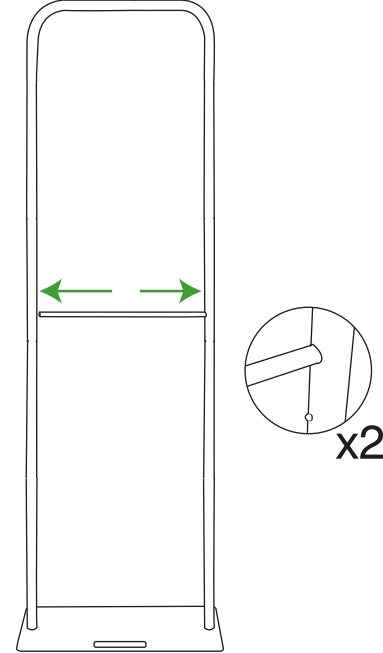
3



4



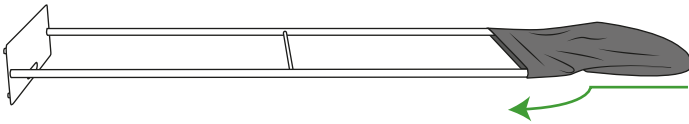
5



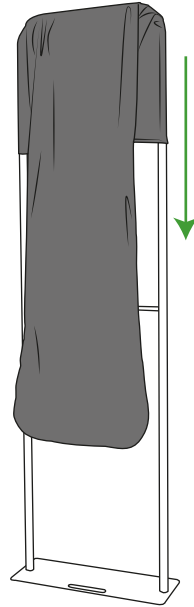


Attaching Graphic

1



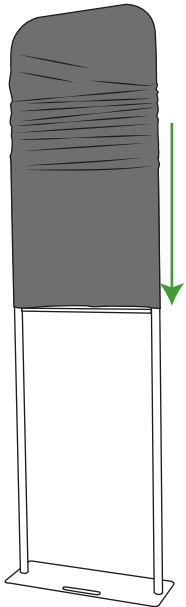
2



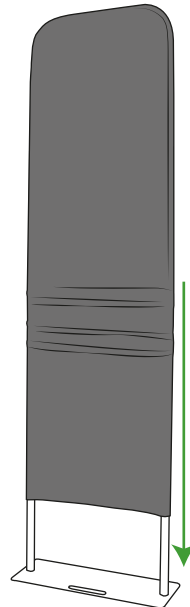
3



4



5



FORMULATE

Fabric Displays
Counters
Retail Displays
Exhibition &
Hanging Displays