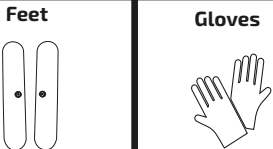
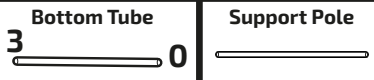
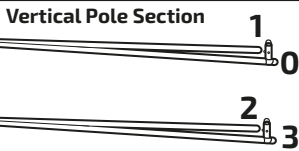


**PARTS (NOT TO SCALE)**

### 420 STRAIGHT



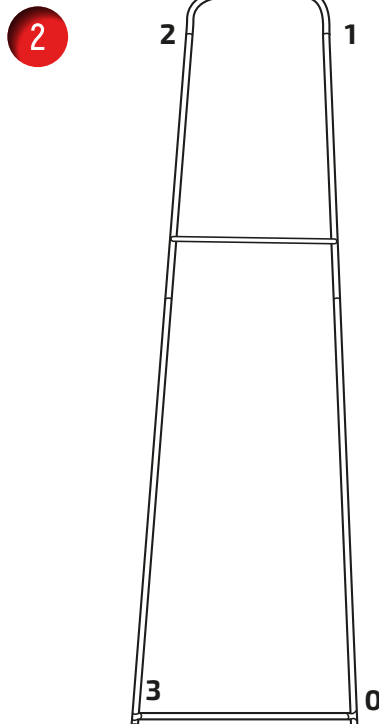
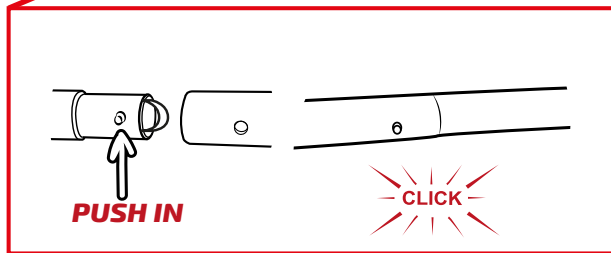
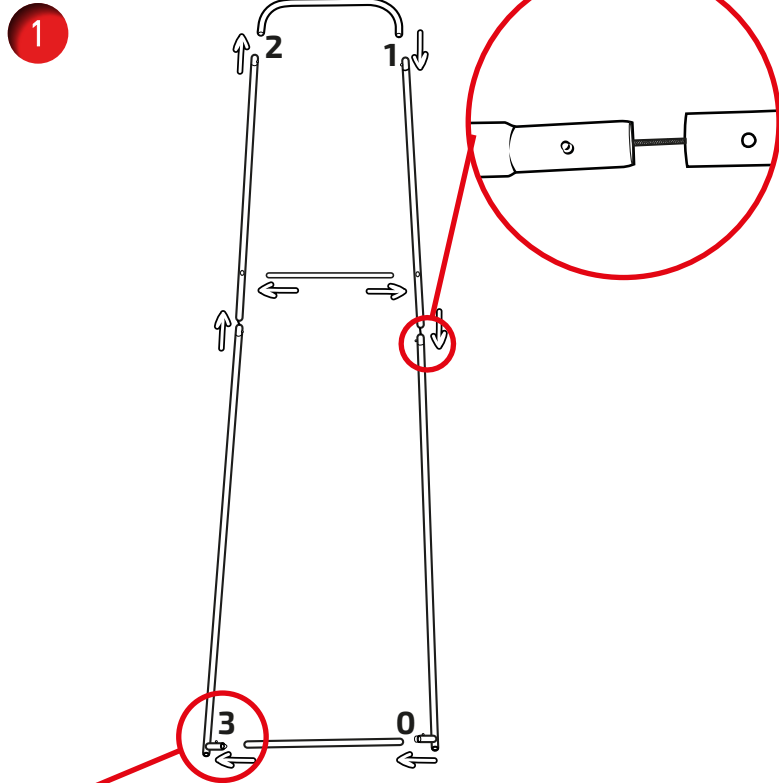
NOT SUPPLIED WITH KIT AND THEY ARE SOLD SEPARATELY

### 424 STRAIGHT

Extension poles (x2)

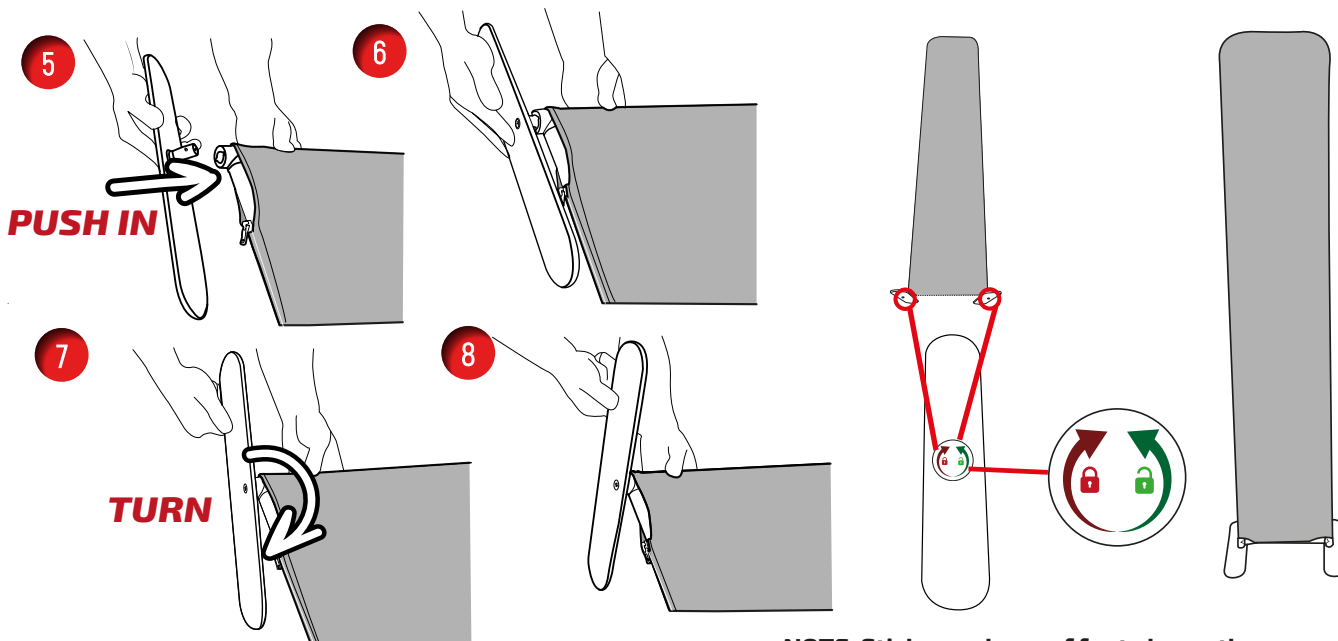
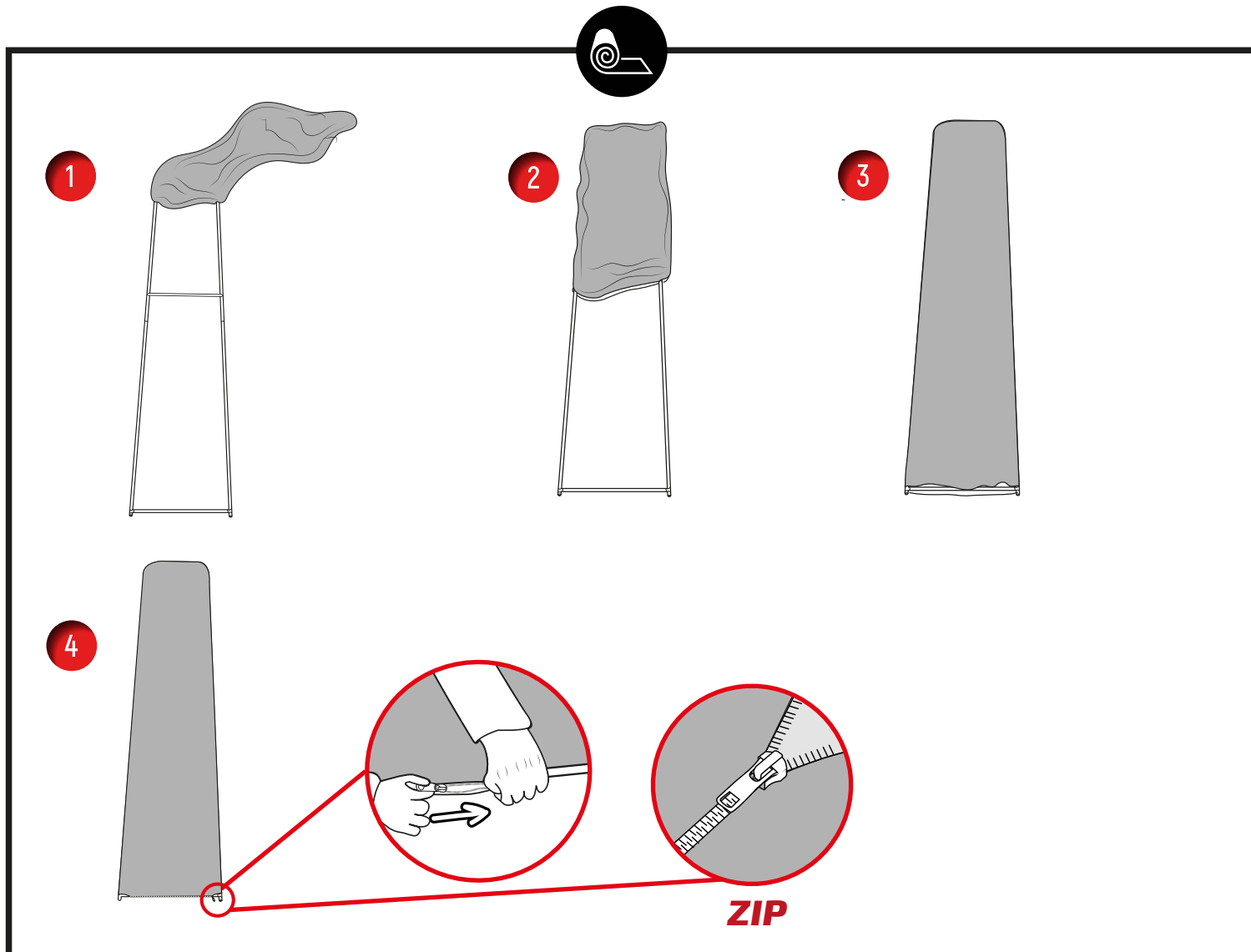


NOTE: The extension poles are used for 424 Straight frames



# Modulate Straight Frames Modulate 420 and 424 (Straight)

Aug 2018



Turn clockwise to lock foot in position  
Turn anti-clockwise to unlock foot

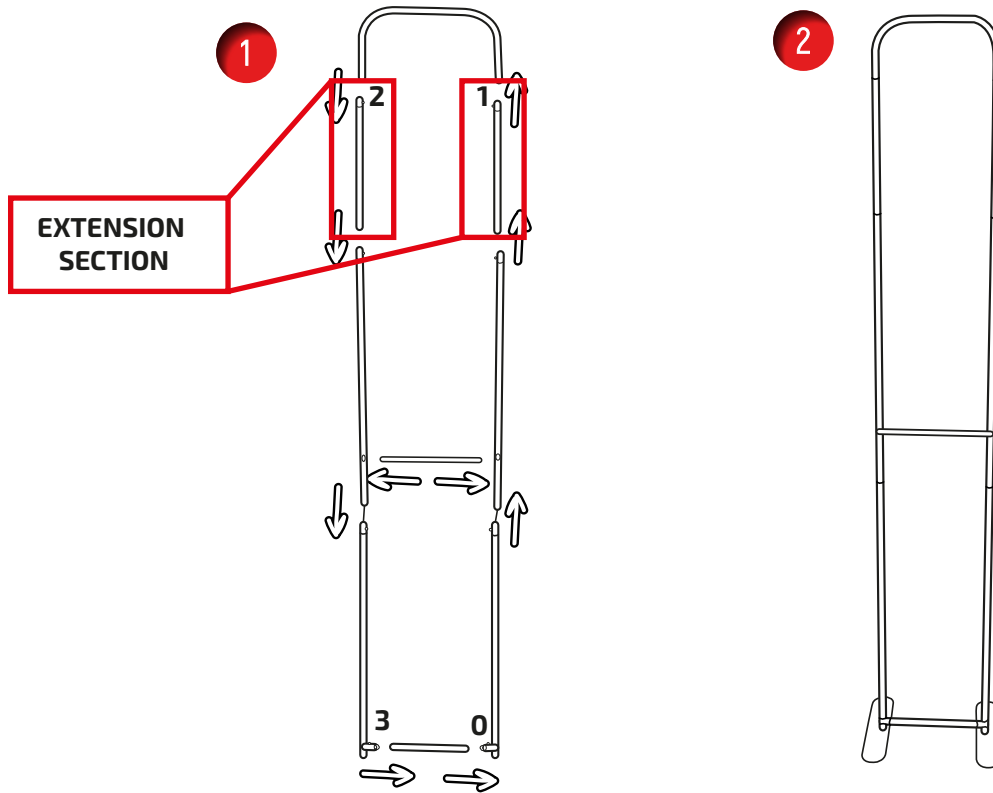
NOTE: Sticker on base of foot shows the directions for locking/unlocking foot

NOTE: TWO POSITIONS FOR THE FEET (SEE OPTION 1 FOR SECOND POSITION)



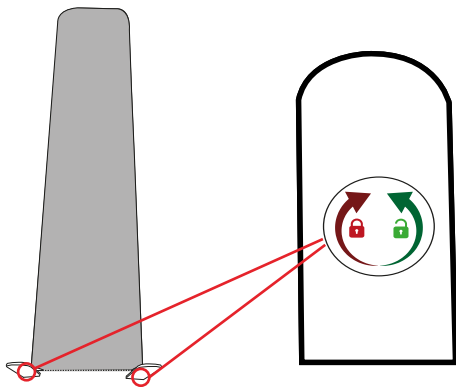
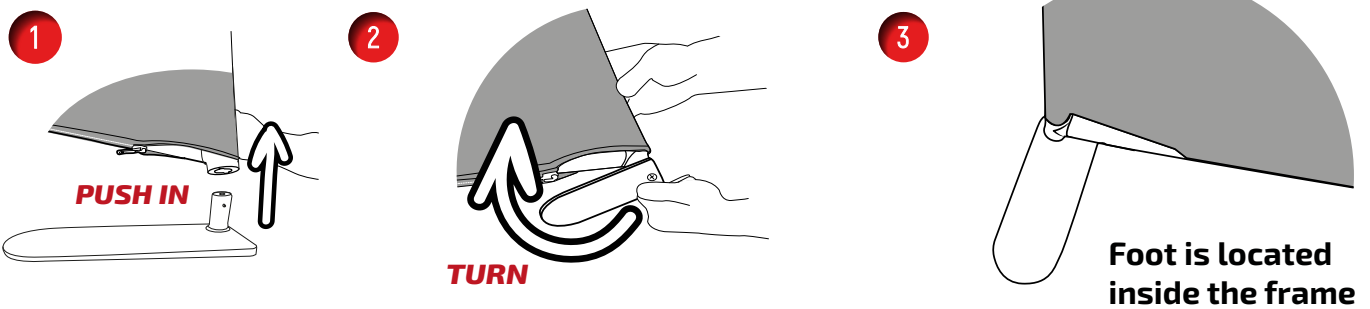
## OPTIONAL (EXTENSION KIT)

NOTE: EXTENSION SECTION SUPPLIED WITH 424 STRAIGHT FRAME

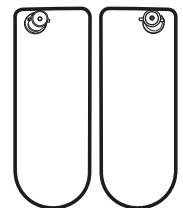


## OPTIONAL (HALF FEET)

**OPTION 1** NOTE: HALF FEET CAN BE POSITIONED ONTO THE FRAME TWO DIFFERENT WAYS

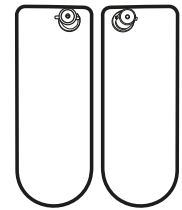
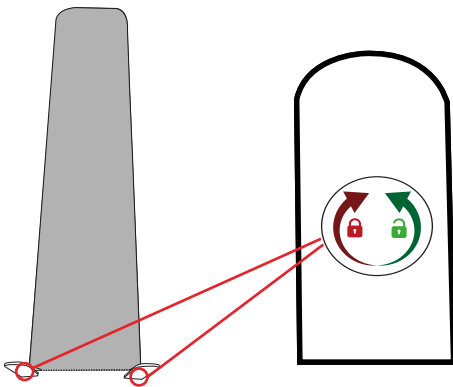
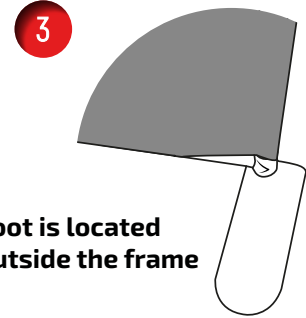
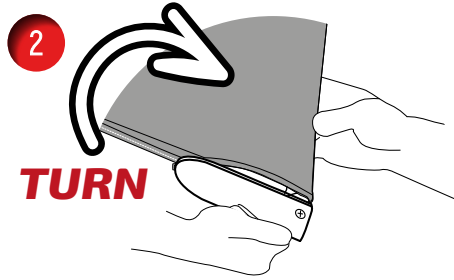
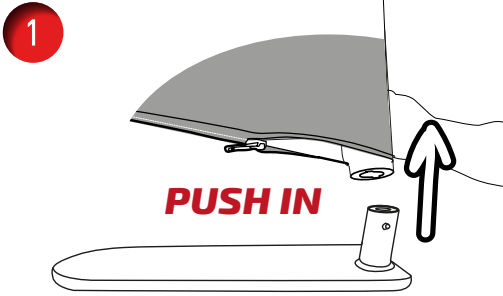


Turn clockwise to lock foot in position  
Turn anti-clockwise to unlock foot





## OPTION 2

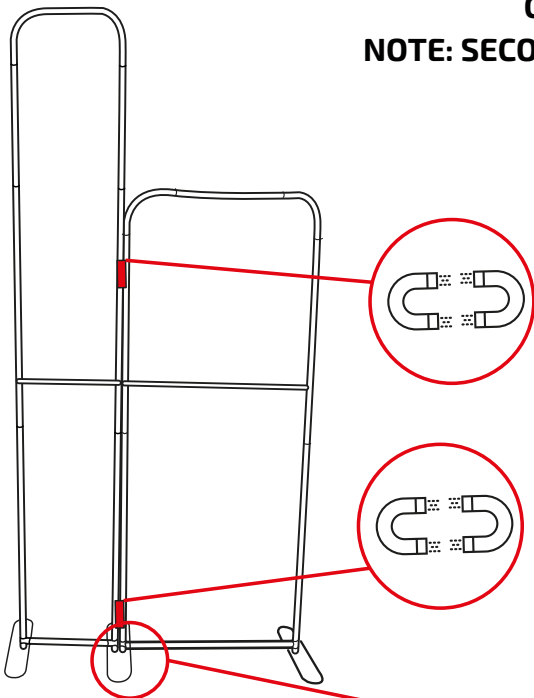


Turn clockwise to lock foot in position  
Turn anti-clockwise to unlock foot

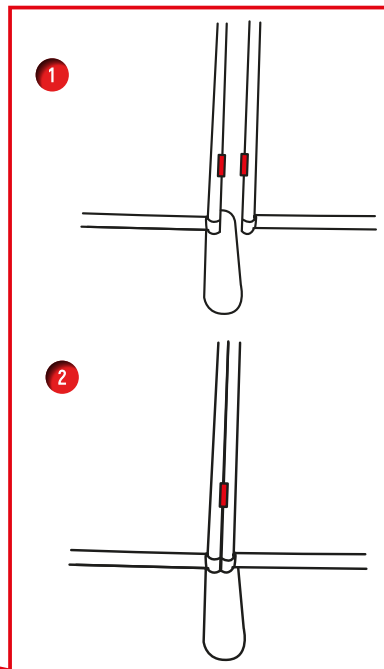


## CONNECTING MULTIPLE FRAMES

**NOTE: SECOND FRAME (820 STRAIGHT NOT INCLUDED)**



424 Extension Straight Frame and 820 Straight Frame



Remove one foot from second frame and align both frames on one foot

**NOTE: FOLLOW OPTION 2 FOR HALF FEET TO CONNECT TWO FRAMES ON ONE FOOT**