

## SPECIFICATIONS

### GRAPHIC PANEL SIZES

#### Finished graphic panel size

2300 x 1500mm  
[Includes 200mm bleed]

#### Visual graphic area

2100 x 1500mm

### SYSTEM SIZES

#### Boxed size

1535 [l] x 220 [w] x 95 [d]mm

#### Assembled size

1520 [w] x 165 [d] x 2120 [h]mm

### BOXED WEIGHTS

#### Single-sided

7.27kg

#### Double-sided

9.0kg

**NOTE:** Please test your substrate suitability before use.

## COMPONENT LIST

1x Sidewinder unit complete with poles

Graphic hanger

- 1x hanger [single-sided unit]
- 2x hangers [double-sided unit]

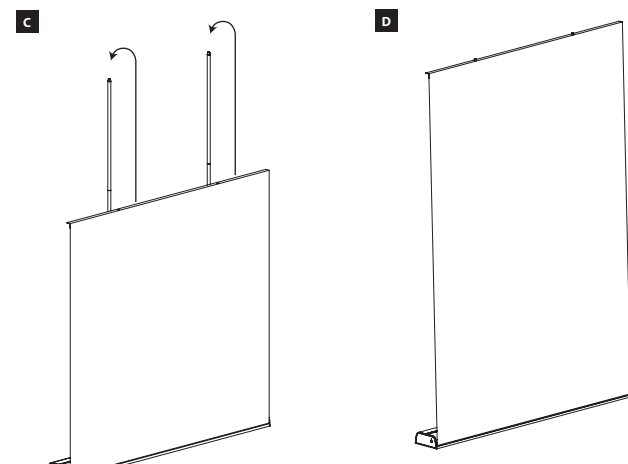
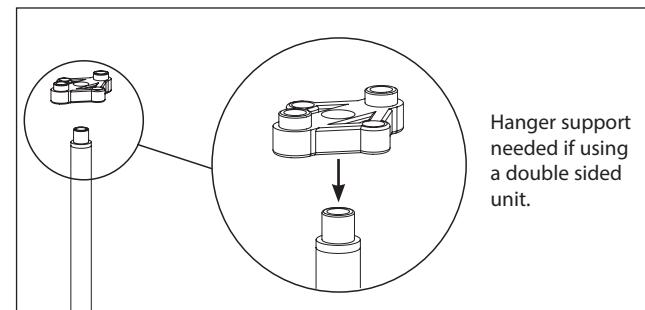
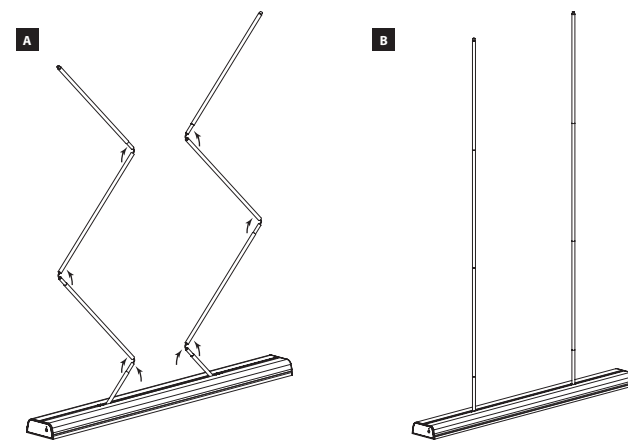
Hook fastener

- 1x strip [single-sided unit]
- 2x strips [double-sided unit]

1x Hanger support [double-sided unit]

1x Padded carry bag

## SIDEWINDER BANNER STAND ASSEMBLY INSTRUCTIONS

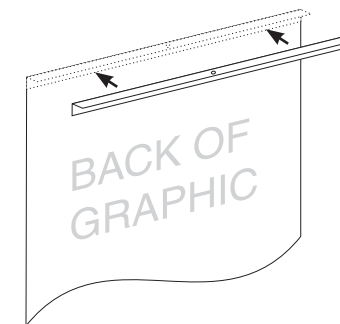


### IMPORTANT NOTICE:

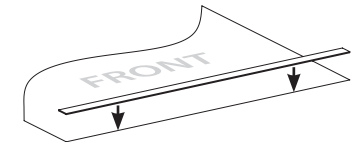
When retracting a graphic always slowly guide it into base housing, otherwise graphic damage may occur.

## GRAPHIC ATTACHMENT

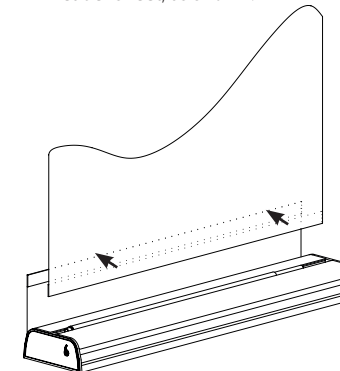
**A** Attach top rear of graphic panel to double sided tape on top hanger.



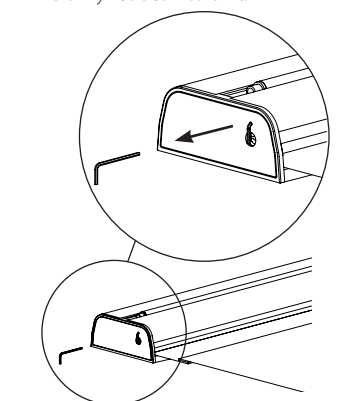
**B** Attach hook fastener to front bottom edge of graphic.



**C** Attach front bottom edge of graphic panel to loop fastener on leader sheet, as shown.



**D** Holding onto graphic, remove locking pin and allow graphic to slowly retract into unit.



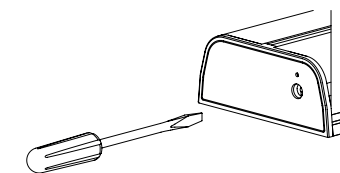
## ADDING OR REMOVING GRAPHIC TENSION

### ADDING TENSION

Insert a standard flat headed screwdriver into slot located in the end of unit and turn clockwise to add extra graphic tension.

### REMOVING TENSION

To un-tension graphic panel place a flat headed screwdriver into the slot and push to disengage ratchet. Hold in and turn anti-clockwise until tension in spring is released. To remove graphic panel carefully peel it off leader sheet. The graphic hanger can also be removed or a new hanger can be purchased.



### IMPORTANT NOTICE:

To ensure a proper bond between graphic and double sided tape pressure must be applied. The adhesive should be allowed to cure for 24 hours before tension is applied.

# plex®

International Patent Application

No. WO 02/057588

No. PCT/GB02/00129 in USA

Issue 6 - September 2016