

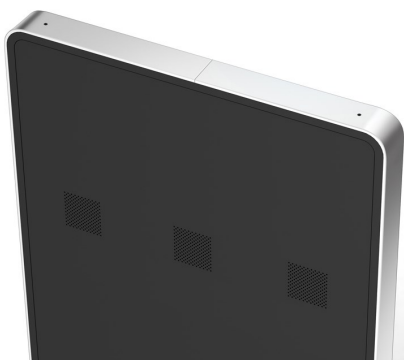
50" SLIMLINE FREESTANDING DIGITAL POSTER

Welcome to the world of digital advertising. Our Slimline Digital Signage range brings you all you need to create stunning displays effortlessly.

Designed to be a complete contemporary digital signage solution, their buttonless tempered glass face, super slim profile, rounded corners and aluminium surround all add to their eye-catching aesthetics.

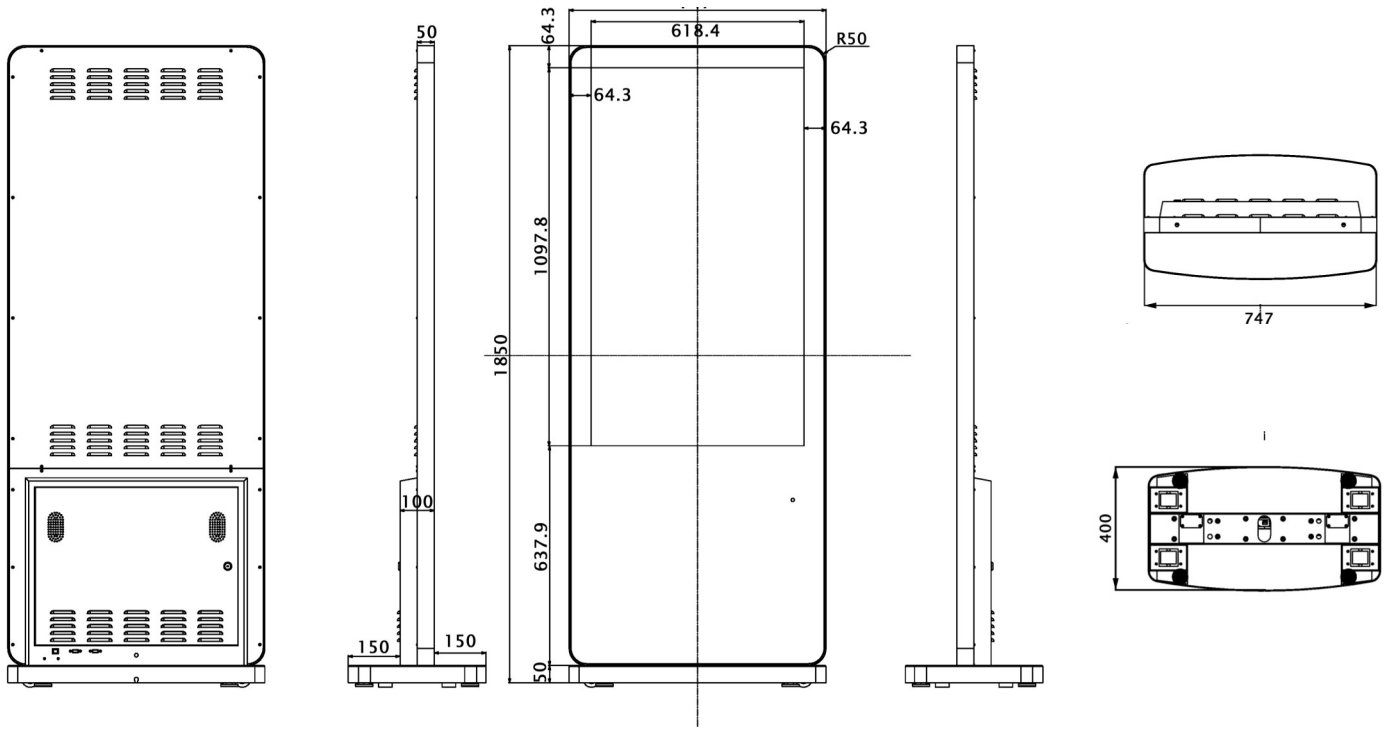
The displays are fitted with commercial grade panels providing them with a wide viewing angle, improved colour contrast and brightness as well as the ability to be used 24 hours a day.

A simple and intuitive piece of scheduling software is also included which allows you to schedule different content to play at different times of the day. In addition to this you can also add scrolling text to have an even greater impact on your advertising campaign.



50"

TECHNICAL INFORMATION



50" SLIMLINE FREESTANDING DIGITAL POSTER

Display Size	50 Inch
Resolution	1080x1920
Display Area (mm)	618.4 x 1097.8
Aspect Ratio	16:9
Unit Size (WxHxD mm)	747 x 1850 x 50
Package Size (WxHxD)	850 x 2000 x 565
Footprint (WxD mm)	747 x 400
Net Weight (kg)	72
Gross Weight (kg)	82
Brightness (cd/m ²)	500
Colour	16.7M
Viewing Angle	178°
Contrast Ratio	4000:1
Power Consumption	100
Input Voltage	AC110~240V(50Hz~60Hz)
Working Temperature	0 °C to 50 °C
Media Formats	Video (MPG, AVI, MP4, RM, RMVB, TS), Audio (MP3, WMA), Image (JPG,
AV Signal Inputs	HDMI, VGA, Audio Socket (3.5mm)
Audio	5W, 8Ω
Internal Flash Memory	4GB
Accessories	Remote Control, Scheduling Software CD, Wall Mount, Key, User Manual

We operate a policy of continuous improvement and we reserve the right to alter products and specifications to reflect this without prior notice. Any information given either verbally or in writing is approximate only and given in good faith and does not constitute terms or part of any contract. We do not accept liability for variance including direct, indirect or consequential loss. The customer is deemed to have determined the suitability of the product for the use intended and assumes all associated risks and liabilities in connection with specifying, using or being unable to use any of the products.