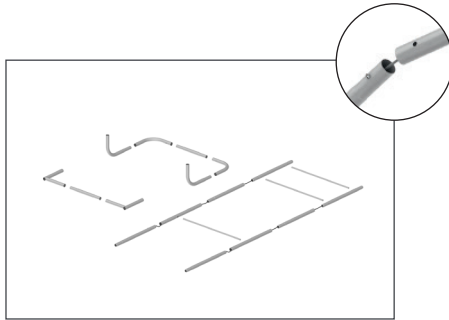


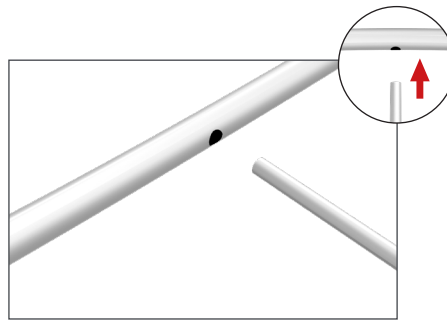
Set Up Instructions

WFA-SHELVING W/FULL GRAPHIC

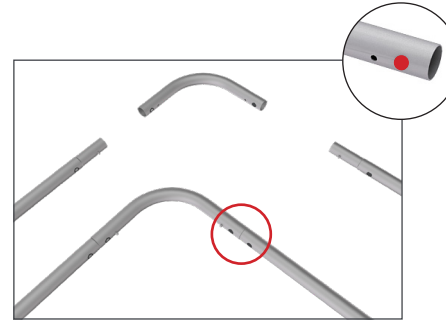
Step 1: Assemble each section of the frame by pressing and pushing poles together.



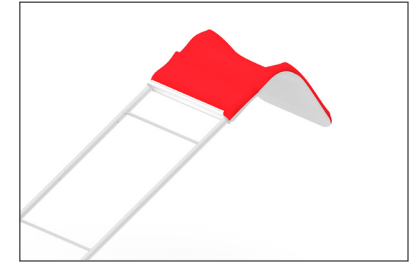
Step 2: Insert correct number of cross bar support poles based on Step 4.



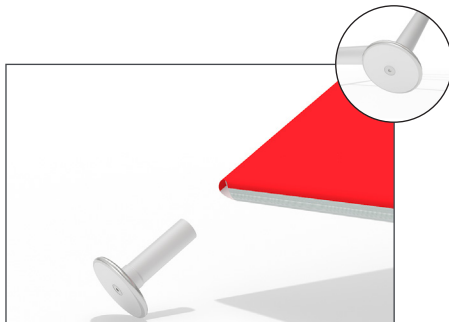
Step 3: Connect all corner sections to straight sections of the frame by matching shape symbols on pipes.



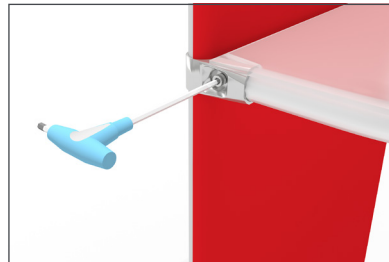
Step 4: Unzip print and lay image face up. Slide print onto frame like a pillow case.



Step 5: Insert feet into the holes at the bottom of display.



Step 6: Add shelves to frame. Position and level shelves on frame before tightening clamps down with hex tool.



Step 7: Complete.



ATTACHMENT TO WALL: Position waterfall as desired on support wall before tightening clamps down with hex tool.

