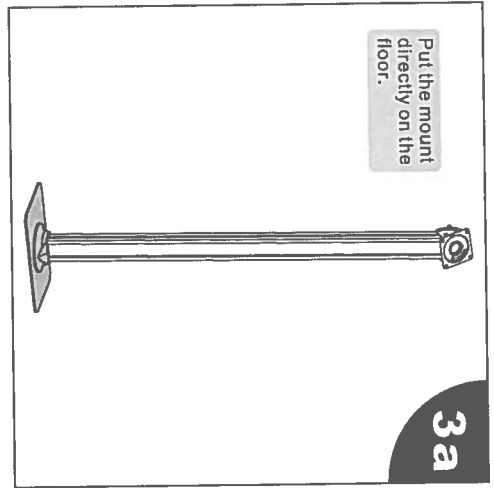
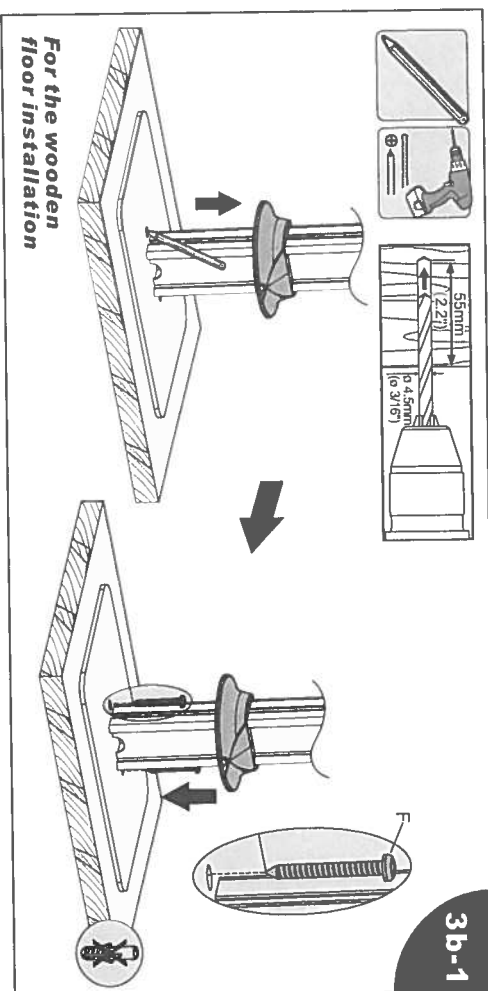


2

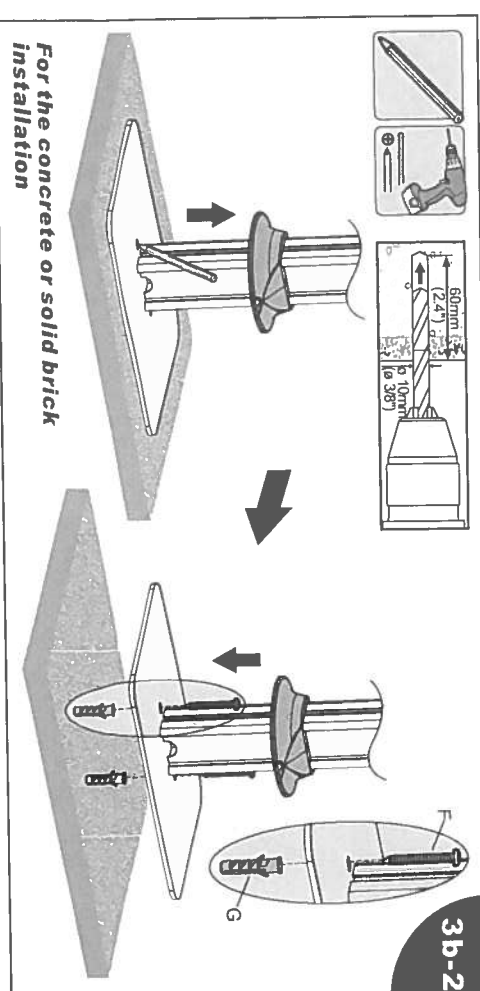


Put the mount directly on the floor.

3a

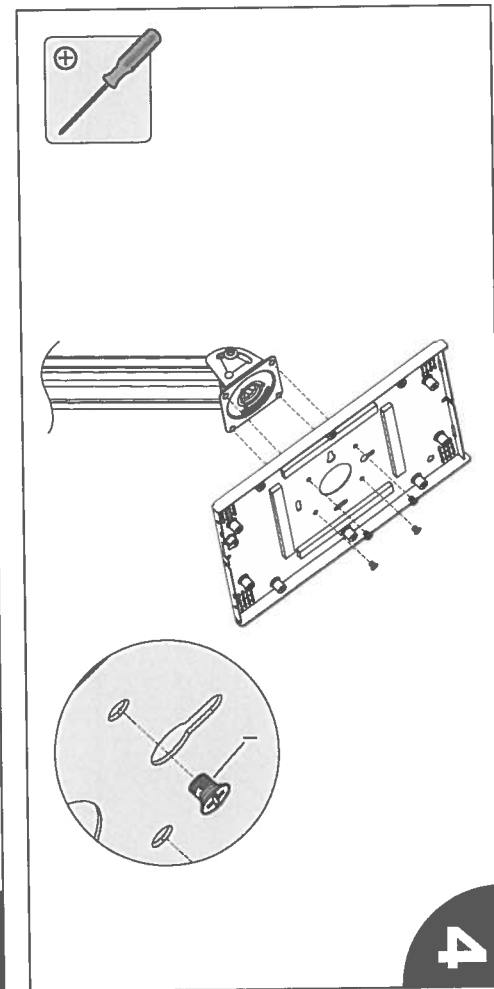


3b-1

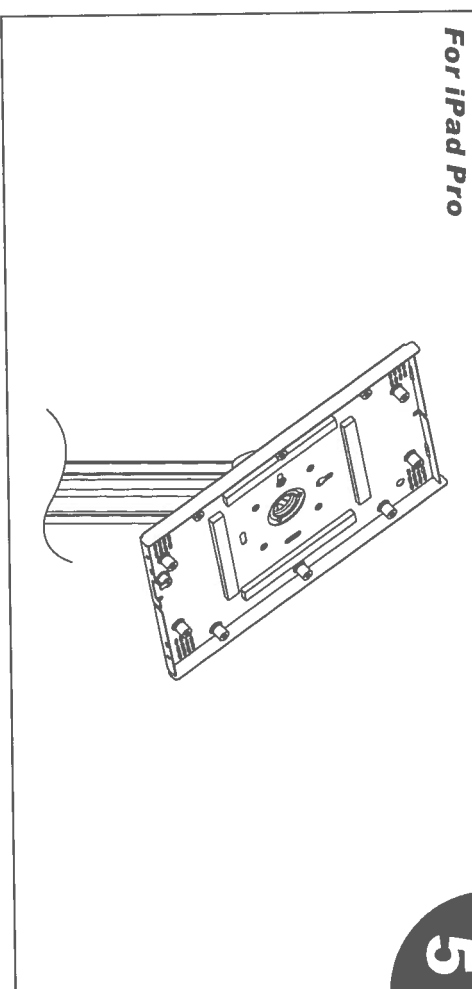


3b-2

For the concrete or solid brick installation

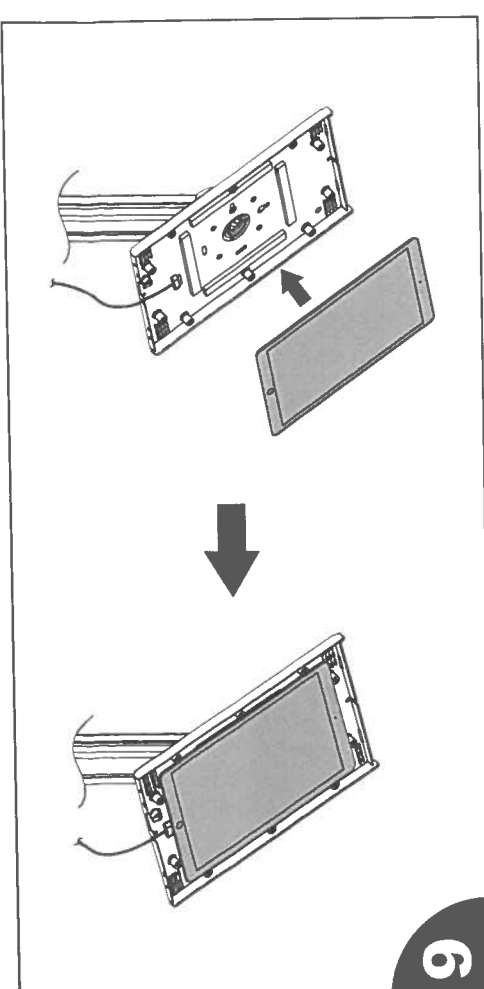


4

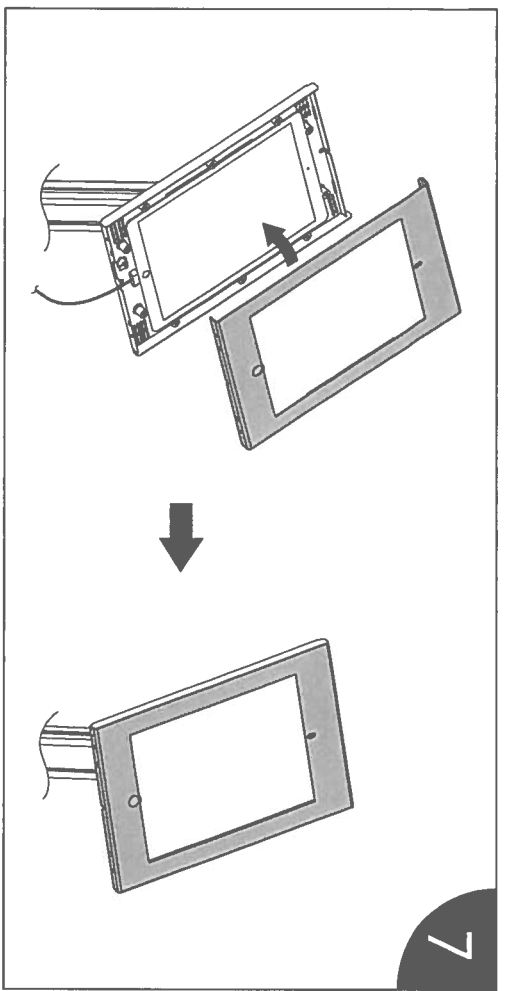


For iPad Pro

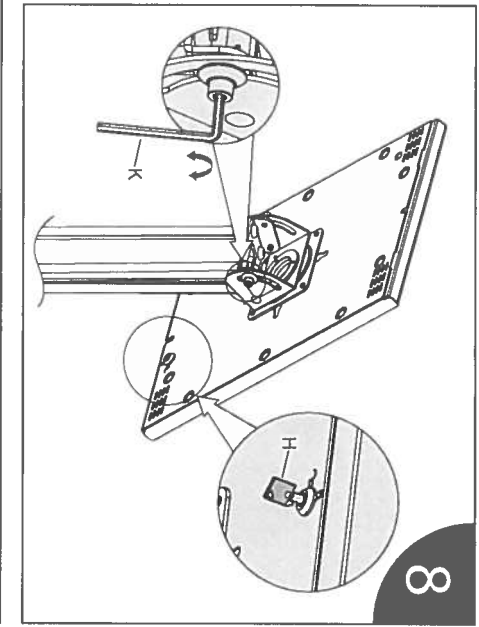
5



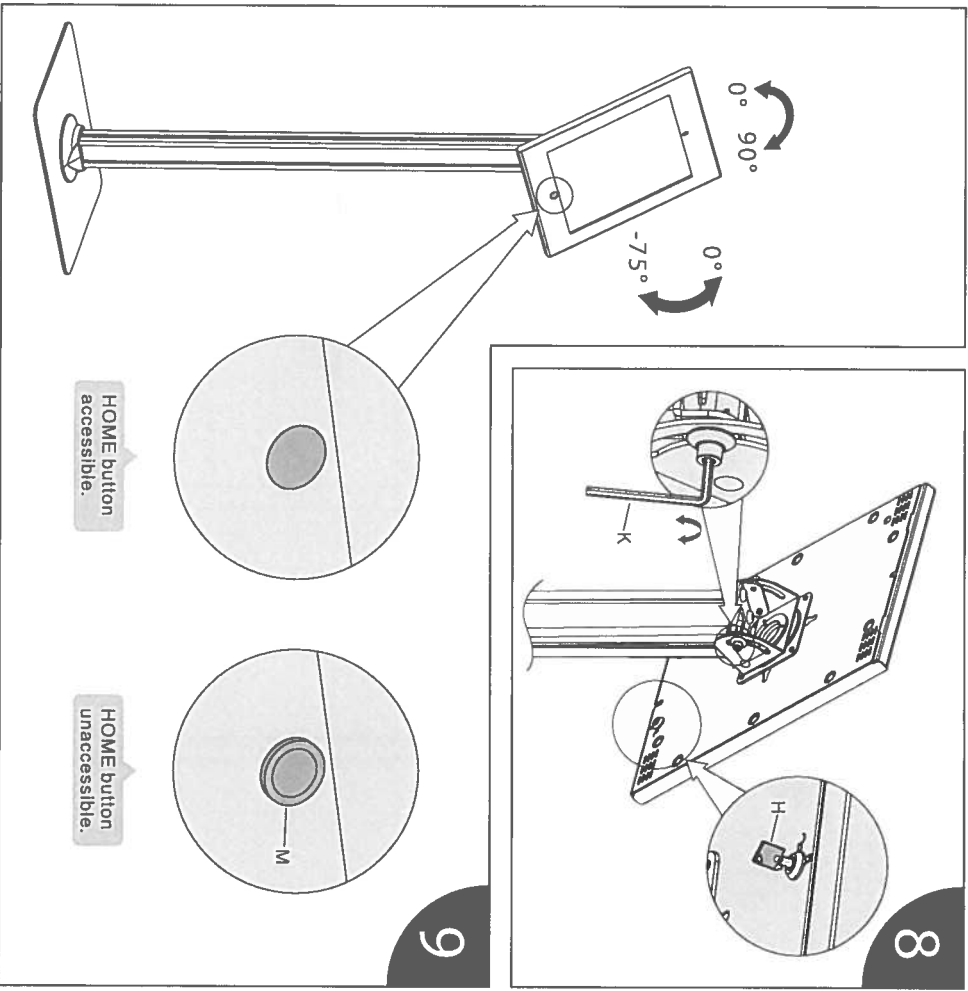
6



7



8



9

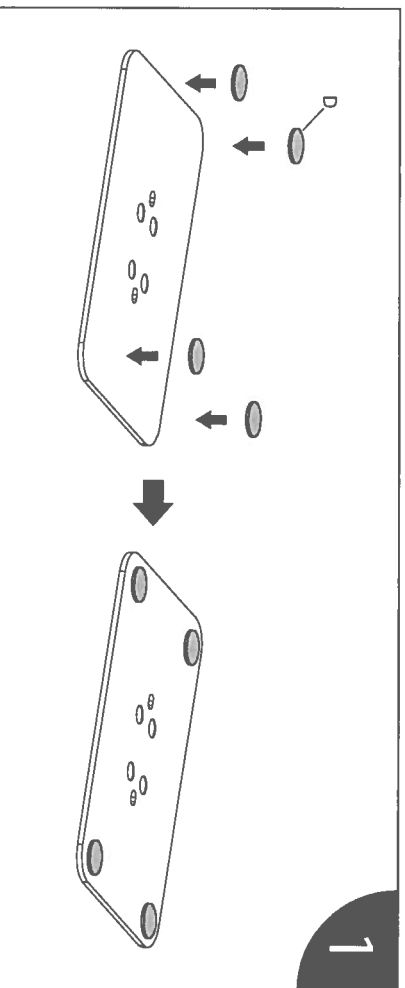
ITEM	DESCRIPTION/PART N.O.	QUANTITY	ITEM	DESCRIPTION/PART N.O.	QUANTITY
------	-----------------------	----------	------	-----------------------	----------

A	anti-theft box	1	E	decorative cover	1
F	ST6.3x55	2	G	concrete anchor	2

B	pole	1	H	key	2
I	M5x6	4	J	M8x20	4

C	base	1	K	4mm Allen key	1
L	5mm Allen key	1			

D	rubber pad	4	M	button	1
---	------------	---	---	--------	---



1